

DF unit type 50 (C562)

## PARTS CATALOG

### INTRODUCTION

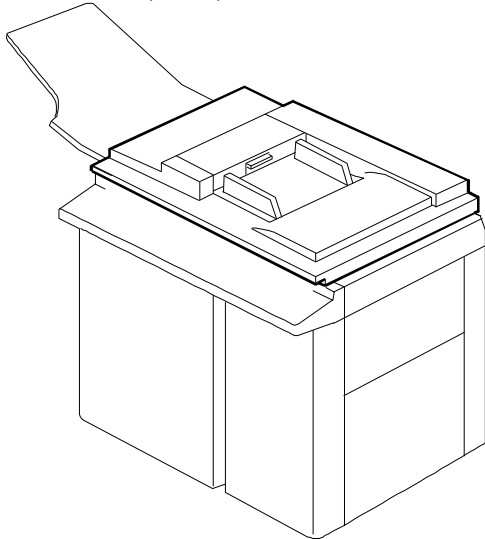
This chapter instructs you the numbers and names of parts on this machine.

### INDEX to PARTS CATALOG

Location of Unit .....	3
1.ADF Unit 1 (C562) .....	4
2.ADF Unit 2 (C562) .....	6
3.ADF Unit 3 (C562) .....	8
4.ADF Unit 4 (C562) .....	10
5.Decal And Document (C562).....	12
Parts Index .....	15

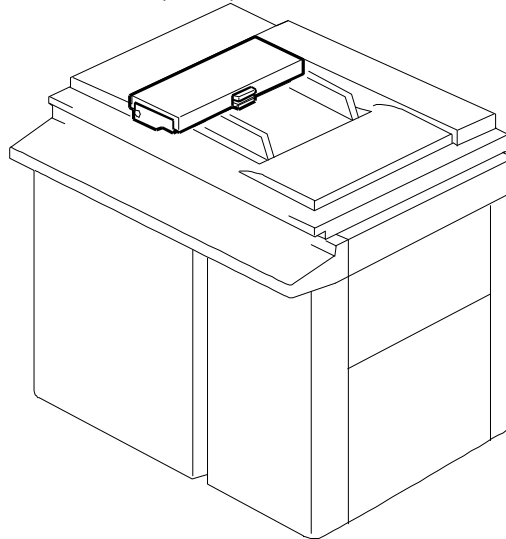
## Location of Unit

1. ADF UNIT 1 (C562)



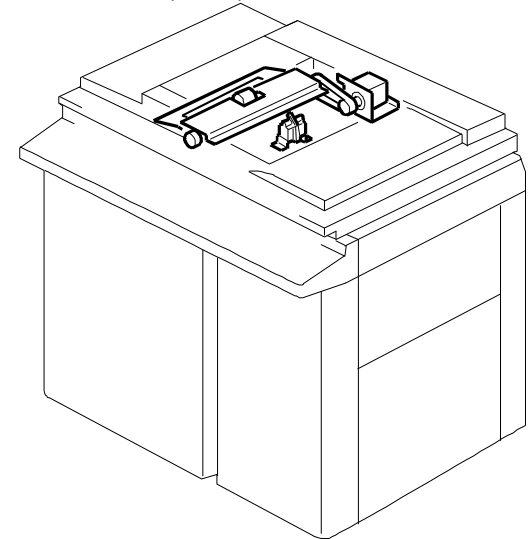
See Page 4

2. ADF UNIT 2 (C562)



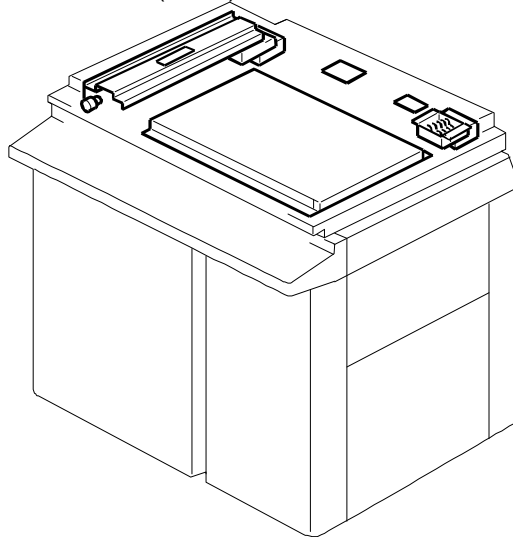
See Page 6

3. ADF UNIT 3 (C562)



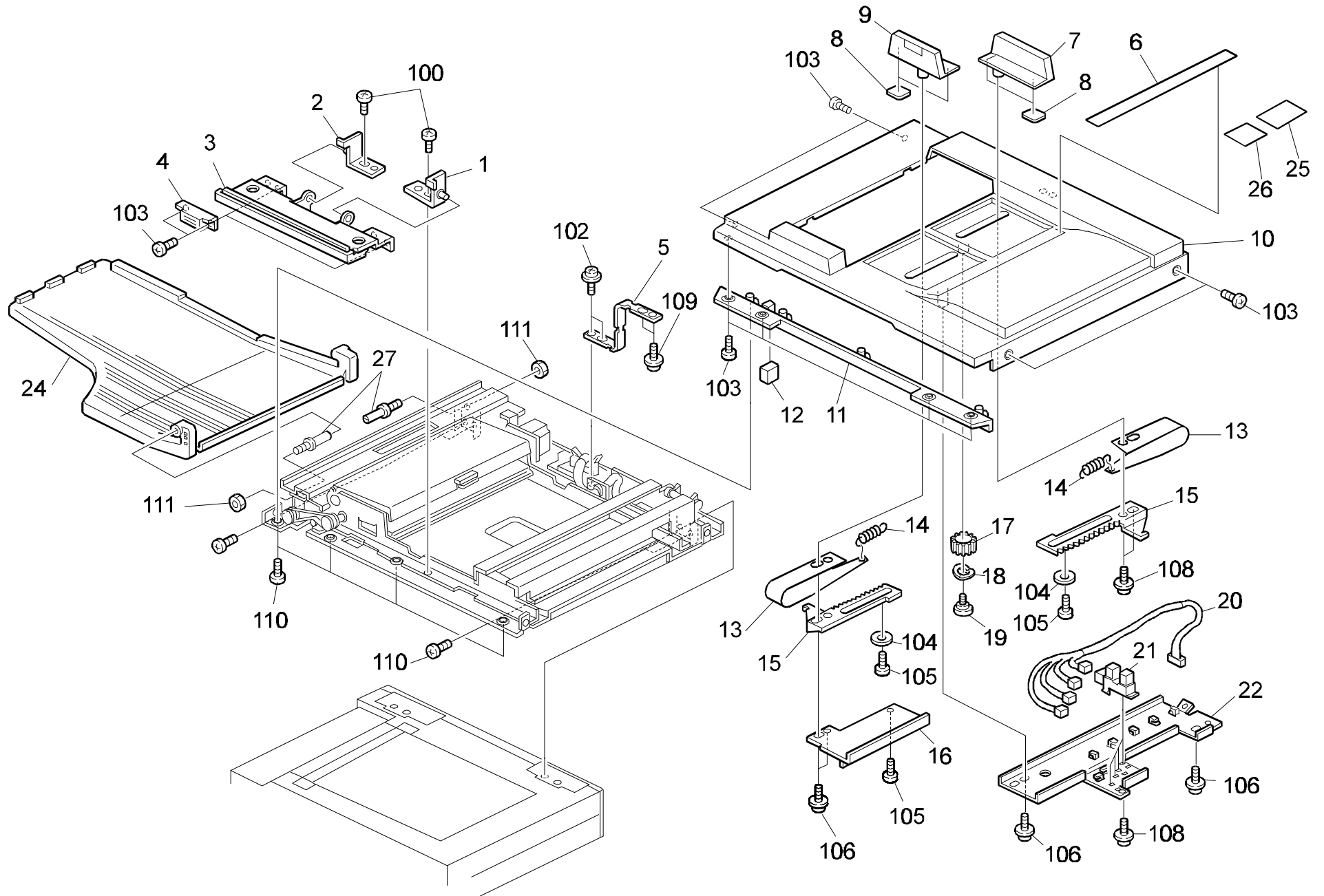
See Page 8

4. ADF UNIT 4 (C562)



See Page 10

# 1. ADF UNIT 1 (C562)

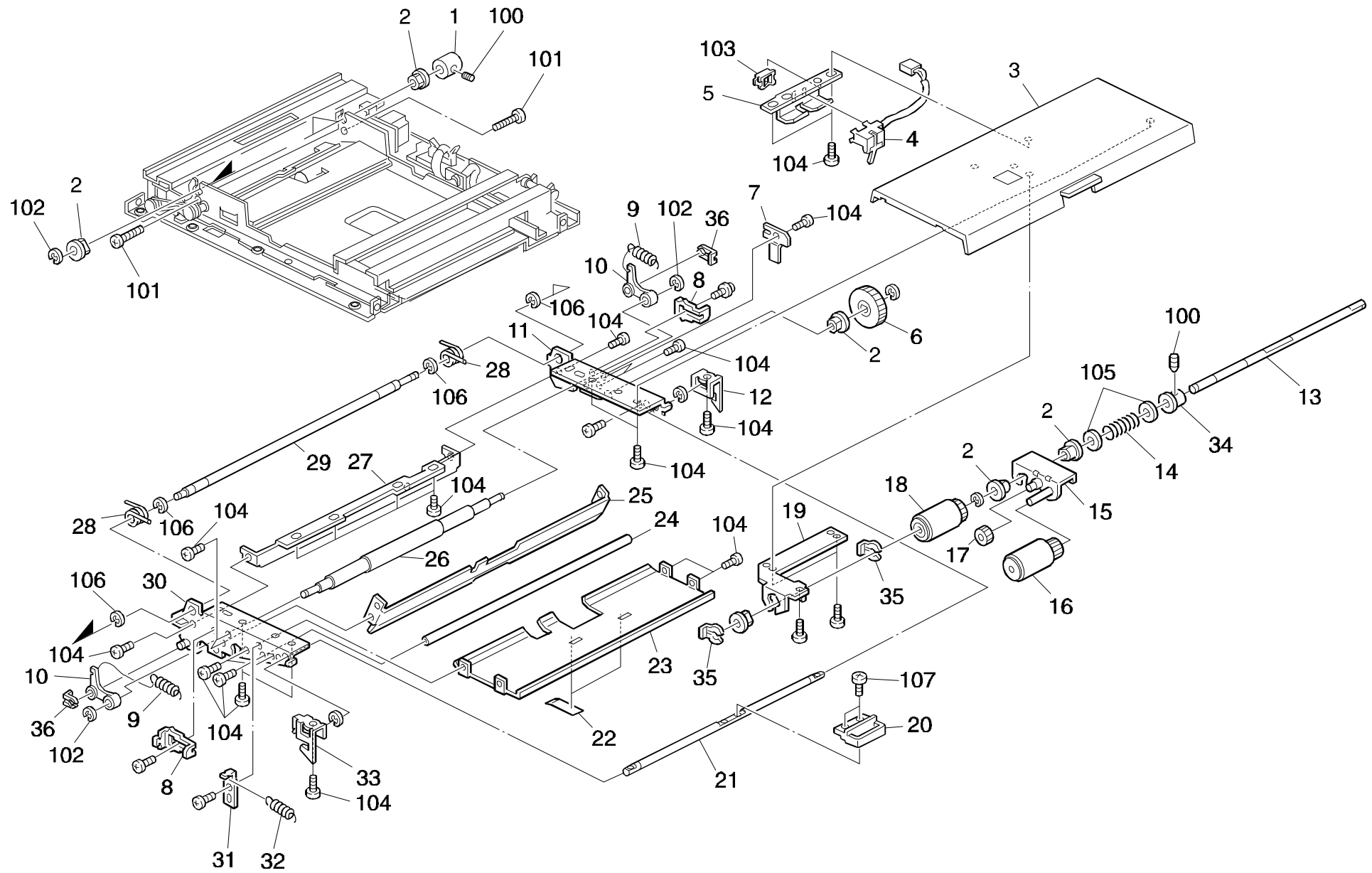


# 1. ADF UNIT 1 (C562)

Index No.	Part No.	Description	Q'ty Per Assembly
1	C218 3447	Right Bracket	1
2	C218 3442	Left Bracket	1
3	C218 3420	ADF Release Lever Bracket	1
4	5054 0536	Magnet Catch Ass'y	1
5	C218 3490	Cover Stopper Band	1
6	C218 2504	Decal Original Size	1
7	C218 2565	Rear Side Fence	1
8	C209 3095	Right Mylar	4
9	C218 2564	Front Side Fence	1
10	C550 2602	ADF Cover	1
11	C218 2650	Front Lower Cover	1
12	C218 8423	Magnet Catch	1
13	C209 3093	Slider Seal	2
14	5070 0671	Spring - Stopper	2
15	C218 2568	Side Fence Gear	2
16	C218 3450	Original Sensor Actuator	1
17	C201 3011	Gear - 16T	1
18	5443 2713	Wave Washer	1
19	5403 2075	Stepped Screw	1
20	C218 8148	Original Sensor Harness	1
21	AW02 0021	Photointerruptor - 175487-3	4
22	C218 3455	Original Sensor Bracket	1
24	C218 2670	Original Tray	1
25	C562 2650	Multi Decal - English	1
27	C218 3415	Original Tray Shaft	2

Index No.	Part No.	Description	Q'ty Per Assembly
100	0313 0040Z	Philips Pan Head Screw - M3x4	
101	0353 0060D	Sunk Screw - 3x6	
102	0960 4006Z	Philips Frang Screw - M4x6	
103	0344 0060D	Philips Truss Head Screw - M4x6	
104	0807 2034	Washer - M3.5	
105	0313 0050Z	Philips Screw - 3x5	
106	0965 4008B	Tapping Screw - M4x8	
108	0314 0100Z	Philips Screw - 4x10	
109	0965 4008B	Tapping Screw - M4x8	
110	0413 0082F	Bind Tapping Screw - M3x8	
111	0710 0030Z	Hex Nut 3	

## 2. ADF UNIT 2 (C562)

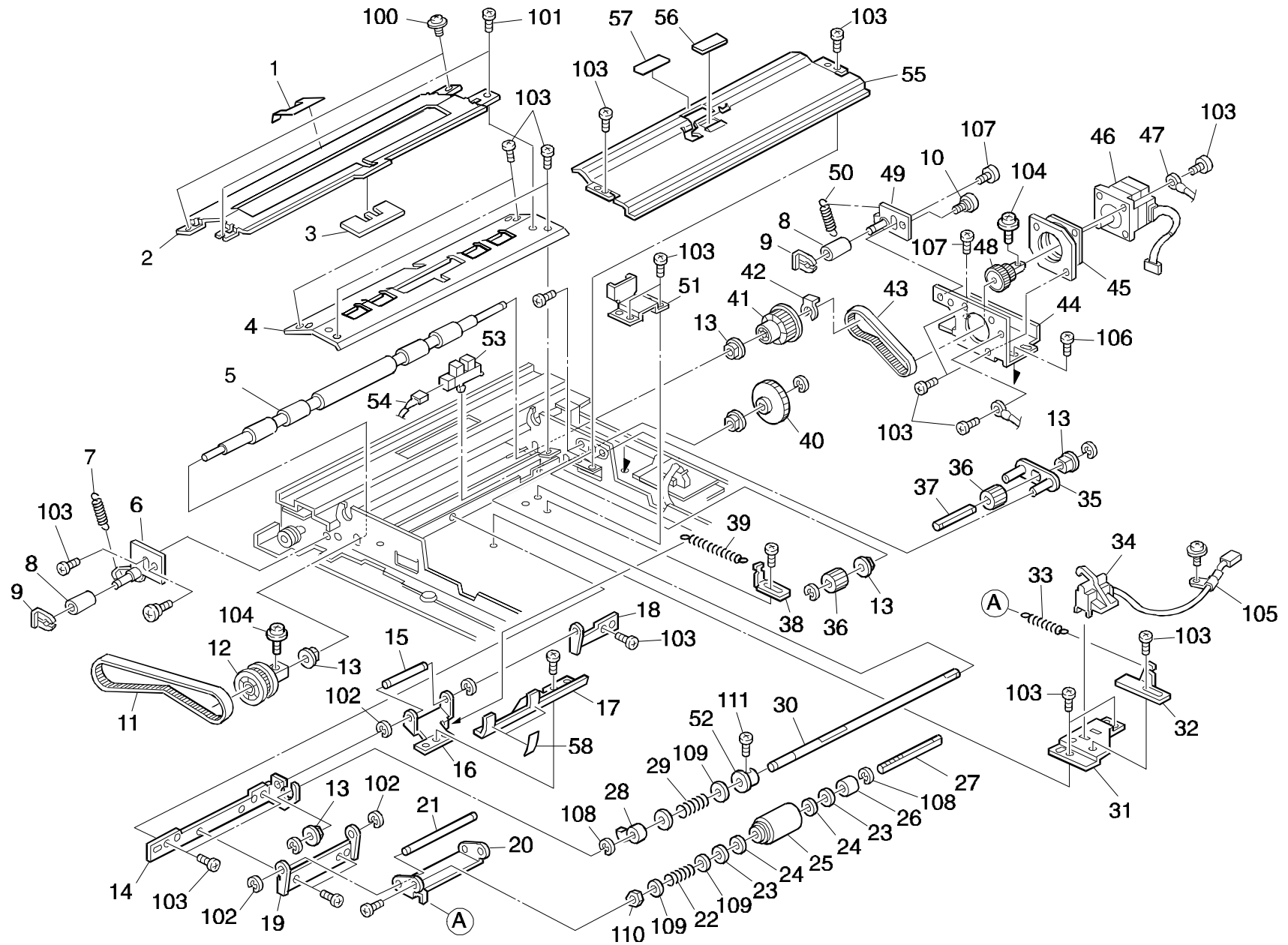


## 2. ADF UNIT 2 (C562)

Index No.	Part No.	Description	Q'ty Per Assembly
1	C218 3334	Stopper Collar	1
2	5053 0447	Bushing - 6mm	4
3	C218 3331	Base Cover	1
4	C218 8409	Registration Sensor	1
5	C218 3365	Registration Sensor Bracket	1
6	C562 3282	Drive Gear	1
7	C218 3377	Sensor Actuator	1
8	C562 3361	Pressure Roller Adjuster	1
9	C218 3362	Pressure Spring	2
10	C218 3360	Pressure Roller Arm	2
11	C562 3372	Right Side Plate	1
12	C218 3340	Right Stopper	1
13	C562 3396	Feed Shaft	1
14	C218 3265	Pick-up Spring	1
15	C562 3390	Pick-up Bracket	1
16	C562 3388	Pick-up Roller	1
17	C562 3389	Idle Gear - Pick-up	1
18	C562 3387	Feed Roller	1
19	C562 3395	Feed Bracket	1
20	C218 3338	Release Lever	1
21	C218 3339	Release Shaft	1
22	C562 3308	Shutter Guide	1
23	C562 3368	Base Guide Plate - Right	1
24	C562 3364	Right Base Stay	1
25	C562 3367	Base Guide Plate - Left	1
26	C218 3359	Pressure Roller	1
27	C218 3366	Feed Unit Stay	1
28	C218 3336	Release Spring	2
29	C218 3335	Feed Unit Shaft	1
30	C562 3370	Left Side Plate	1
31	C562 3343	Hook Release Bracket	1
32	C218 3342	Spring	1
33	C218 3341	Left Stopper	1
34	C218 3264	Spring Stopper	1
35	5447 2681	Snap Ring	2

Index No.	Part No.	Description	Q'ty Per Assembly
36	5206 2686	Snap Ring	2
100	0573 0040E	Hexagon Headless Set Screw - M3x4	
101	0314 0100Z	Philips Screw - 4x10	
102	0720 0040Z	Retaining Ring - M4	
103	1105 0243	Wire Saddle	
104	0951 3006Z	Philips Screw With Flat Washer - M3	
105	0701 0060Z	Flat Washer - M6	

### 3. ADF UNIT 3 (C562)



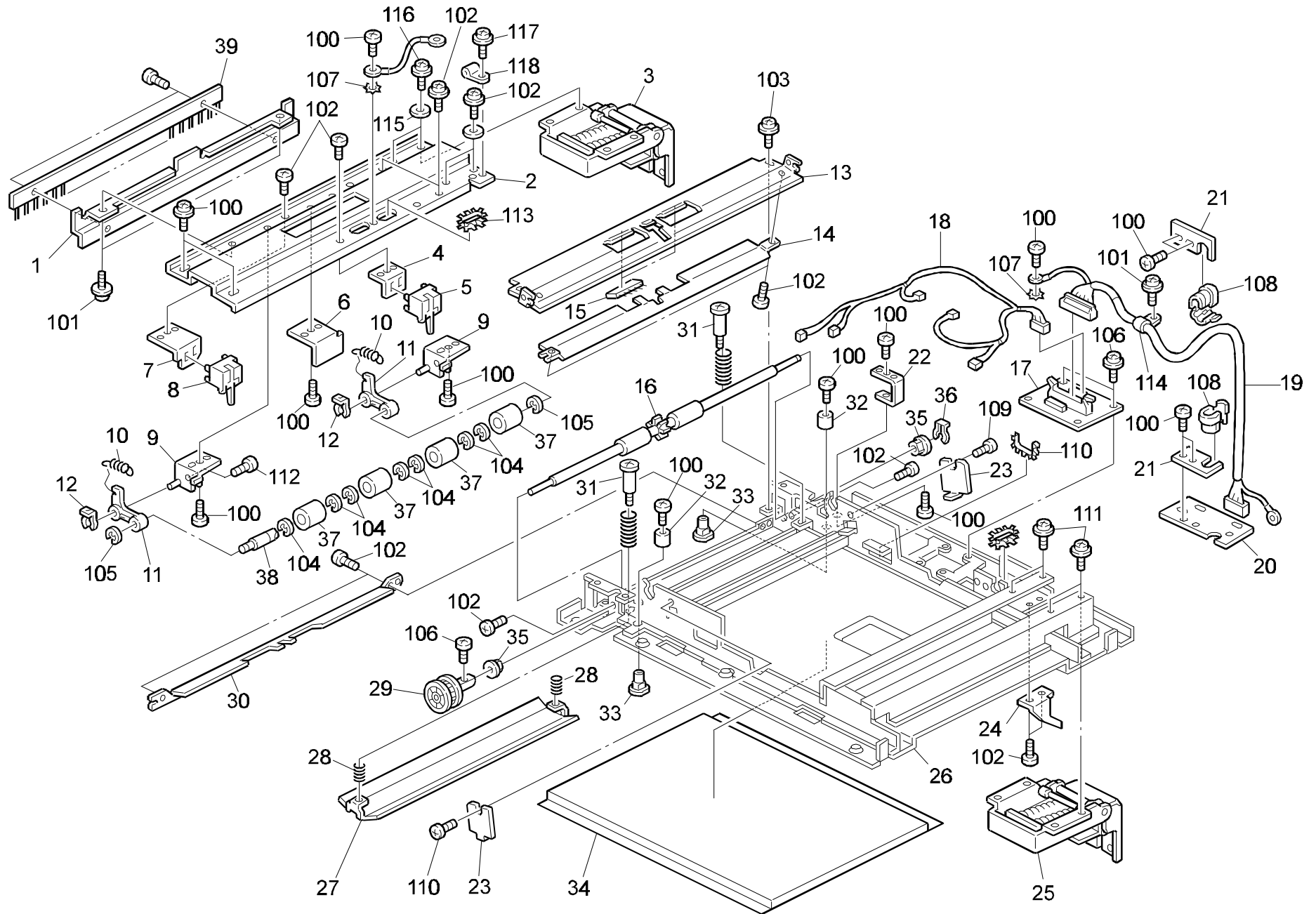


### 3. ADF UNIT 3 (C562)

Index No.	Part No.	Description	Q'ty Per Assembly
1	C218 3310	Guide Mylar	1
2	C218 3304	Upper Registration Guide	1
3	C218 3305	Support Guide Plate	1
4	C218 3306	Lower Registration Guide	1
5	C218 3269	Original Feed Roller	1
6	C218 3286	Tension Bracket	1
7	C218 3296	Tension Spring	1
8	C218 3290	Collar - 4x8x14	2
9	5206 2686	Snap Ring	2
10	C218 3285	Tension Stopper	1
11	C218 3299	Timing Belt - B40S2M280	1
12	C218 3298	Timing Pulley - 29Z	1
13	5053 0447	Bushing - 6mm	1
14	C562 3262	Separation Bracket	1
15	C562 3351	Shutter Shaft	1
16	C562 3348	Shutter Stay	1
17	C562 3347	Separation Shutter	1
18	C562 3263	Shutter Bracket	1
19	C562 3261	Separation Hinge Bracket	1
20	C562 3346	Separation Stay	1
21	C562 3349	Separation Shaft	1
22	C218 3385	Spring	1
23	C218 3379	Clutch Disk	2
24	C218 3380	Clutch	2
25	C562 3386	Separation Roller	1
26	C562 3381	Spacer	1
27	C218 3383	Pick-up Roller Shaft	1
28	C562 3352	Shutter Cam	1
29	C218 3265	Pick-up Spring	1
30	C562 3350	Shutter Drive Shaft	1
31	C562 3272	Original Sensor Bracket	1
32	C562 3357	Spring Hook - Separation	1
33	C562 3311	Pressure Spring	1
34	C218 8406	Original Sensor	1
35	C562 3286	Idler Stay	1

Index No.	Part No.	Description	Q'ty Per Assembly
36	C562 3284	Idler Gear	1
37	C562 3285	Idler Drive Shaft	1
38	C562 3354	Spring Hook - Shutter	1
39	C562 3310	Pressure Spring	1
40	C562 3283	Shutter Drive Gear	1
41	C218 3294	Pulley - 45Z	1
42	5447 2681	Snap Ring	1
43	C562 3293	Timing Belt	1
44	C218 3289	Drive Motor Bracket	1
45	C218 3086	Motor Cushion	1
46	C218 8215	ADF Drive Motor - DC4.5W	1
47	C218 8425	Grounding Harness	1
48	C218 3292	Pulley - Stepper Motor	1
49	C218 3276	Tension Bracket	1
50	C218 3279	Tension Spring	1
51	C218 3242	Harness Cover	1
52	C218 3264	Spring Stopper	1
53	AW02 0021	Photointerruptor - 175487-3	1
54	C218 8133	ADF Harness	1
55	C562 3302	Separation Guide Plate	1
56	C562 3306	Guide Plate Pad	1
57	C562 3303	Release Guide Plate	1
58	C562 3308	Shutter Guide	2
100	0960 3006Z	Philips Flange Screw-M3x6	
101	0313 0060Z	Philips Pan Head Screw - M3x6	
102	0720 0030Z	Retaining Ring - M3	
103	0314 0060Z	Philips Pan Head Screw - M4x6	
104	0951 3006Z	Philips Screw With Flat Washer - M3	
105	1105 0005	Nylon Clip - 3N	
106	0801 1004	Screw - M4x4	
107	0314 0080Z	Philips Screw - 4x8	
108	0720 0040Z	Retaining Ring - M4	
109	0701 0060Z	Flat Washer - M6	
110	0710 0060Z	Hex Nut 6	

# 4. ADF UNIT 4 (C562)



#### 4. ADF UNIT 4 (C562)

Index No.	Part No.	Description	Q'ty Per Assembly
1	C562 3397	Hinge Bracket	1
2	C218 3395	Left Stay	1
3	C218 3424	Left Hinge Ass'y	1
4	C218 3317	Registration Sensor Bracket	1
5	C218 8403	Original Release Sensor	1
6	C218 3241	Exit Roller Cover	1
7	C218 3318	Bracket - Sensor - Exit	1
8	C218 8402	Exit Sensor	1
9	C218 3311	Left Stay Bracket	2
10	C218 3323	Exit Roller Spring	2
11	C218 3360	Pressure Roller Arm	2
12	5206 2686	Snap Ring	2
13	C218 3309	Lower Exit Guide	1
14	C218 3308	Upper Exit Guide	1
15	C218 3398	Antistatic Brush	1
16	C218 3270	Original Exit Roller	1
17	C218 8082	ADF Main Board	1
18	C218 8133	ADF Harness	1
19	C218 8417	Relay Harness	1
20	C218 3473	Interface Board Bracket	1
21	C218 3475	ADF Harness Holder	1
22	C218 3399	Supporting Plate - Stay - Hinge	1
23	C218 3325	Cover Plate	1
24	C218 3433	ADF Sensor Actuator	1
25	C218 3423	Right Hinge Ass'y	1
26	C218 3401	Platen Cover Ass'y	1
27	C218 3324	Original Contact Guide	1
28	C218 3328	Pressure Spring	2
29	C218 3298	Timing Pulley - 29Z	1
30	C218 3326	Original Tray Holder	1
31	C218 3327	Stepped Screw - M3x16	2
32	C218 3435	Collar - 5x11x10.7	2
33	C218 3436	Stud - M4	2
34	C550 3491	ADF Coversheet	1
35	5053 0447	Bushing - 6mm	1

Index No.	Part No.	Description	Q'ty Per Assembly
36	5447 2681	Snap Ring	1
37	C218 3320	Exit Roller	1
38	C218 3321	Exit Roller Shaft	1
39	5206 2808	Antistatic Brush - Duplex Transport	1
100	0314 0060Z	Philips Pan Head Screw - M4x6	
101	0960 4006Z	Philips Frang Screw - M4x6	
102	0313 0060Z	Philips Pan Head Screw - M3x6	
103	0960 3006Z	Philips Flange Screw-M3x6	
104	0720 0060Z	Retaining Ring - M6	
105	0720 0040Z	Retaining Ring - M4	
106	0951 3006Z	Philips Screw With Flat Washer - M3	
107	0705 0040B	Toothed Washer	
108	1106 0101	Cord Stopper (110,115V)	
109	0801 1004	Screw - M4x4	
110	1106 0103	Universal Bushing	
111	0960 4008W	Philips Flange Screw - M4x8	
112	0313 0050Z	Philips Screw - 3x5	
113	1106 0134	Universal Bushing - 2.4mm	
114	1105 0010	Nylon Clip - 6N	
115	0701 0060Z	Flat Washer - M6	
116	0960 4008Z	Flange Head Screw - 4 X 8	
117	0951 3006Z	Philips Screw With Flat Washer - M3	
118	1105 0005	Nylon Clip - 3N	

# 5. DECAL AND DOCUMENT (C562)

<p>1</p> <p>1 10 8 1/2 5 1/2 5 1/2 8 1/2 10 1</p> <p>A3 A4 B4 B5 A4 B5 A6 A6 B5 A4 B4 B5 A3 A4</p>	<p>2</p> <p>Diagram illustrating the process of inserting a document into the device.</p>
<p>3</p>	

## 5. DECAL AND DOCUMENT (C562)

Index No.	Part No.	Description	Q'ty Per Assembly
1	C218 2504	Decal Original Size	1
1	C550 2641	Decal - Original Size - LT	1
2	C550 2645	Multi Decal - Simbol	1
2	C562 2650	Multi Decal - English	1
2	C562 2651	Multi Decal - German	1
2	C562 2652	Multi Decal - French	1
2	C562 2653	Multi Decal - Italian	1
2	C562 2654	Multi Decal - Spanish	1

Index No.	Part No.	Description	Q'ty Per Assembly

# PARTS INDEX

Part No.	Description	Page and Index No.
AW02 0021	Photointerruptor - 175487-3	3- 21
AW02 0021	Photointerruptor - 175487-3	7- 53
C201 3011	Gear - 16T	3- 17
C209 3093	Slider Seal	3- 13
C209 3095	Right Mylar	3- 8
C218 2504	Decal Original Size	3- 6
C218 2504	Decal Original Size	11- 1
C218 2564	Front Side Fence	3- 9
C218 2565	Rear Side Fence	3- 7
C218 2568	Side Fence Gear	3- 15
C218 2650	Front Lower Cover	3- 11
C218 2670	Original Tray	3- 24
C218 3086	Motor Cushion	7- 45
C218 3241	Exit Roller Cover	9- 6
C218 3242	Harness Cover	7- 51
C218 3264	Spring Stopper	5- 34
C218 3264	Spring Stopper	7- 52
C218 3265	Pick-up Spring	5- 14
C218 3265	Pick-up Spring	7- 29
C218 3269	Original Feed Roller	7- 5
C218 3270	Original Exit Roller	9- 16
C218 3276	Tension Bracket	7- 49
C218 3279	Tension Spring	7- 50
C218 3285	Tension Stopper	7- 10
C218 3286	Tension Bracket	7- 6
C218 3289	Drive Motor Bracket	7- 44
C218 3290	Collar - 4x8x14	7- 8
C218 3292	Pulley - Stepper Motor	7- 48
C218 3294	Pulley - 45Z	7- 41
C218 3296	Tension Spring	7- 7
C218 3298	Timing Pulley - 29Z	7- 12
C218 3298	Timing Pulley - 29Z	9- 29
C218 3299	Timing Belt - B40S2M280	7- 11
C218 3304	Upper Registration Guide	7- 2
C218 3305	Support Guide Plate	7- 3

Part No.	Description	Page and Index No.
C218 3306	Lower Registration Guide	7- 4
C218 3308	Upper Exit Guide	9- 14
C218 3309	Lower Exit Guide	9- 13
C218 3310	Guide Mylar	7- 1
C218 3311	Left Stay Bracket	9- 9
C218 3317	Registration Sensor Bracket	9- 4
C218 3318	Bracket - Sensor - Exit	9- 7
C218 3320	Exit Roller	9- 37
C218 3321	Exit Roller Shaft	9- 38
C218 3323	Exit Roller Spring	9- 10
C218 3324	Original Contact Guide	9- 27
C218 3325	Cover Plate	9- 23
C218 3326	Original Tray Holder	9- 30
C218 3327	Stepped Screw - M3x16	9- 31
C218 3328	Pressure Spring	9- 28
C218 3331	Base Cover	5- 3
C218 3334	Stopper Collar	5- 1
C218 3335	Feed Unit Shaft	5- 29
C218 3336	Release Spring	5- 28
C218 3338	Release Lever	5- 20
C218 3339	Release Shaft	5- 21
C218 3340	Right Stopper	5- 12
C218 3341	Left Stopper	5- 33
C218 3342	Spring	5- 32
C218 3359	Pressure Roller	5- 26
C218 3360	Pressure Roller Arm	5- 10
C218 3360	Pressure Roller Arm	9- 11
C218 3362	Pressure Spring	5- 9
C218 3365	Registration Sensor Bracket	5- 5
C218 3366	Feed Unit Stay	5- 27
C218 3377	Sensor Actuator	5- 7
C218 3379	Clutch Disk	7- 23
C218 3380	Clutch	7- 24
C218 3383	Pick-up Roller Shaft	7- 27
C218 3385	Spring	7- 22

Part No.	Description	Page and Index No.
C218 3395	Left Stay	9- 2
C218 3398	Antistatic Brush	9- 15
C218 3399	Supporting Plate - Stay - Hinge	9- 22
C218 3401	Platen Cover Ass'y	9- 26
C218 3415	Original Tray Shaft	3- 27
C218 3420	ADF Release Lever Bracket	3- 3
C218 3423	Right Hinge Ass'y	9- 25
C218 3424	Left Hinge Ass'y	9- 3
C218 3433	ADF Sensor Actuator	9- 24
C218 3435	Collar - 5x11x10.7	9- 32
C218 3436	Stud - M4	9- 33
C218 3442	Left Bracket	3- 2
C218 3447	Right Bracket	3- 1
C218 3450	Original Sensor Actuator	3- 16
C218 3455	Original Sensor Bracket	3- 22
C218 3473	Interface Board Bracket	9- 20
C218 3475	ADF Harness Holder	9- 21
C218 3490	Cover Stopper Band	3- 5
C218 8082	ADF Main Board	9- 17
C218 8133	ADF Harness	7- 54
C218 8133	ADF Harness	9- 18
C218 8148	Original Sensor Harness	3- 20
C218 8215	ADF Drive Motor - DC4.5W	7- 46
C218 8402	Exit Sensor	9- 8
C218 8403	Original Release Sensor	9- 5
C218 8406	Original Sensor	7- 34
C218 8409	Registration Sensor	5- 4
C218 8417	Relay Harness	9- 19
C218 8423	Magnet Catch	3- 12
C218 8425	Grounding Harness	7- 47
C550 2602	ADF Cover	3- 10
C550 2641	Decal - Original Size - LT	11- 1
C550 2645	Multi Decal - Simbol	11- 2
C550 3491	ADF Coversheet	9- 34
C562 2650	Multi Decal - English	3- 25

Part No.	Description	Page and Index No.
C562 2650	Multi Decal - English	11- 2
C562 2651	Multi Decal - German	11- 2
C562 2652	Multi Decal - French	11- 2
C562 2653	Multi Decal - Italian	11- 2
C562 2654	Multi Decal - Spanish	11- 2
C562 3261	Separation Hinge Bracket	7- 19
C562 3262	Separation Bracket	7- 14
C562 3263	Shutter Bracket	7- 18
C562 3272	Original Sensor Bracket	7- 31
C562 3282	Drive Gear	5- 6
C562 3283	Shutter Drive Gear	7- 40
C562 3284	Idler Gear	7- 36
C562 3285	Idler Drive Shaft	7- 37
C562 3286	Idler Stay	7- 35
C562 3293	Timing Belt	7- 43
C562 3302	Separation Guide Plate	7- 55
C562 3303	Release Guide Plate	7- 57
C562 3306	Guide Plate Pad	7- 56
C562 3308	Shutter Guide	5- 22
C562 3308	Shutter Guide	7- 58
C562 3310	Pressure Spring	7- 39
C562 3311	Pressure Spring	7- 33
C562 3343	Hook Release Bracket	5- 31
C562 3346	Separation Stay	7- 20
C562 3347	Separation Shutter	7- 17
C562 3348	Shutter Stay	7- 16
C562 3349	Separation Shaft	7- 21
C562 3350	Shutter Drive Shaft	7- 30
C562 3351	Shutter Shaft	7- 15
C562 3352	Shutter Cam	7- 28
C562 3354	Spring Hook - Shutter	7- 38
C562 3357	Spring Hook - Separation	7- 32
C562 3361	Pressure Roller Adjuster	5- 8
C562 3364	Right Base Stay	5- 24
C562 3367	Base Guide Plate - Left	5- 25



Part No.	Description	Page and Index No.
C562 3368	Base Guide Plate - Right	5- 23
C562 3370	Left Side Plate	5- 30
C562 3372	Right Side Plate	5- 11
C562 3381	Spacer	7- 26
C562 3386	Separation Roller	7- 25
C562 3387	Feed Roller	5- 18
C562 3388	Pick-up Roller	5- 16
C562 3389	Idle Gear - Pick-up	5- 17
C562 3390	Pick-up Bracket	5- 15
C562 3395	Feed Bracket	5- 19
C562 3396	Feed Shaft	5- 13
C562 3397	Hinge Bracket	9- 1

Part No.	Description	Page and Index No.
5053 0447	Bushing - 6mm	5- 2
5053 0447	Bushing - 6mm	7- 13
5053 0447	Bushing - 6mm	9- 35
5054 0536	Magnet Catch Ass'y	3- 4
5070 0671	Spring - Stopper	3- 14
5206 2686	Snap Ring	5- 36
5206 2686	Snap Ring	7- 9
5206 2686	Snap Ring	9- 12
5206 2808	Antistatic Brush - Duplex Transport	9- 39
5403 2075	Stepped Screw	3- 19
5443 2713	Wave Washer	3- 18
5447 2681	Snap Ring	5- 35
5447 2681	Snap Ring	7- 42
5447 2681	Snap Ring	9- 36

Part No.	Description	Page and Index No.
0313 0040Z	Philips Pan Head Screw - M3x4	3-100
0313 0050Z	Philips Screw - 3x5	3-105
0313 0050Z	Philips Screw - 3x5	9-112
0313 0060Z	Philips Pan Head Screw - M3x6	7-101
0313 0060Z	Philips Pan Head Screw - M3x6	9-102
0314 0060Z	Philips Pan Head Screw - M4x6	7-103
0314 0060Z	Philips Pan Head Screw - M4x6	9-100
0314 0080Z	Philips Screw - 4x8	7-107
0314 0100Z	Philips Screw - 4x10	3-108
0314 0100Z	Philips Screw - 4x10	5-101
0344 0060D	Philips Truss Head Screw - M4x6	3-103
0353 0060D	Sunk Screw - 3x6	3-101
0413 0082F	Bind Tapping Screw - M3x8	3-110
0573 0040E	Hexagon Headless Set Screw - M3x4	5-100
0701 0060Z	Flat Washer - M6	5-105
0701 0060Z	Flat Washer - M6	7-109
0701 0060Z	Flat Washer - M6	9-115
0705 0040B	Toothed Washer	9-107
0710 0030Z	Hex Nut 3	3-111
0710 0060Z	Hex Nut 6	7-110
0720 0030Z	Retaining Ring - M3	7-102
0720 0040Z	Retaining Ring - M4	5-102
0720 0040Z	Retaining Ring - M4	7-108
0720 0040Z	Retaining Ring - M4	9-105
0720 0060Z	Retaining Ring - M6	9-104
0801 1004	Screw - M4x4	7-106
0801 1004	Screw - M4x4	9-109
0807 2034	Washer - M3.5	3-104
0951 3006Z	Philips Screw With Flat Washer - M3	5-104
0951 3006Z	Philips Screw With Flat Washer - M3	7-104
0951 3006Z	Philips Screw With Flat Washer - M3	9-106
0951 3006Z	Philips Screw With Flat Washer - M3	9-117
0960 3006Z	Philips Flange Screw-M3x6	7-100
0960 3006Z	Philips Flange Screw-M3x6	9-103
0960 4006Z	Philips Frang Screw - M4x6	3-102

Part No.	Description	Page and Index No
0960 4006Z	Philips Frang Screw - M4x6	9-101
0960 4008W	Philips Flange Screw - M4x8	9-111
0960 4008Z	Flange Head Screw - 4 X 8	9-116
0965 4008B	Tapping Screw - M4x8	3-106
0965 4008B	Tapping Screw - M4x8	3-109
1105 0005	Nylon Clip - 3N	7-105
1105 0005	Nylon Clip - 3N	9-118
1105 0010	Nylon Clip - 6N	9-114
1105 0243	Wire Saddle	5-103
1106 0101	Cord Stopper (110,115V)	9-108
1106 0103	Universal Bushing	9-110
1106 0134	Universal Bushing - 2.4mm	9-113